



JOB:
ITEM:
QTY:



BULK FRAMES AND TUBS

APPLICATION:

Labor saving mobile carts. FDA approved molded polyethylene natural bulk tubs. Tub sizes are 2 1/4 bushel (20 gallons), 4 bushel (30 gallon capacity), 6 bushel (41 gallon capacity), 8 bushel (57 gallon capacity), and 9 bushel (66 gallon capacity). Optional shoebox type lids available for most sizes. Open frame is easy to clean.

MATERIAL:

All aluminum welded construction. Framework is constructed out of 1 1/4x 1 1/4"x.070" wall tubing. Tub supports are constructed out of 1"x1"x.070" wall tubing.

CASTERS:

The bulk movers frames come equipped with four 5"x1 3/8" stem type polyurethane swivel casters.

GUARANTEE:

These bulk movers carry a **Lifetime Guarantee** against rust and corrosion and also carry a **Five-Year Guarantee** against workmanship and material defects.

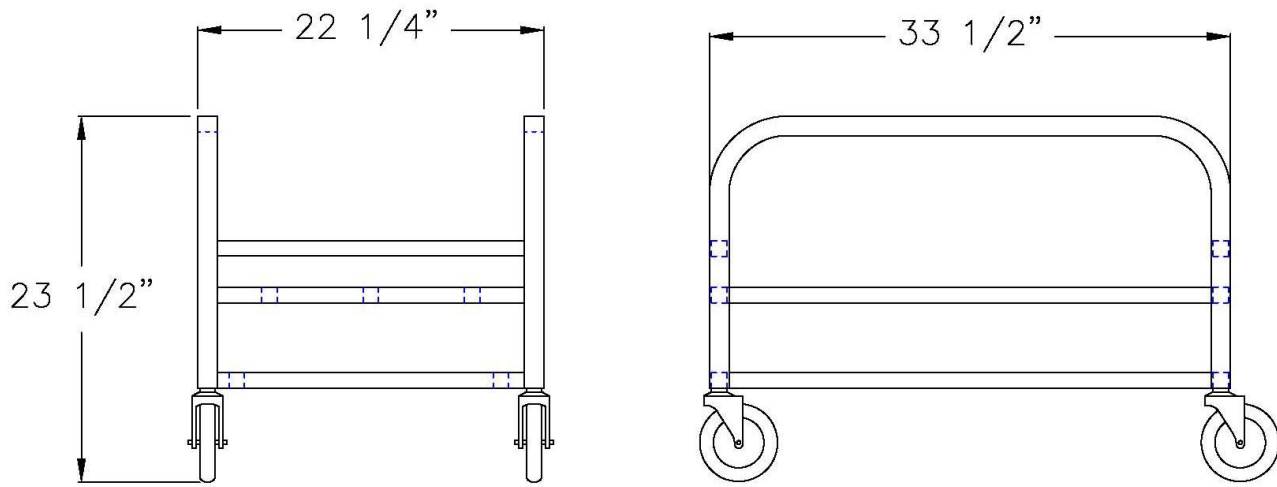


Model #99273 frame
Model #0360 tub



Phone: 800-255-0104
Fax: 877-877-7687
www.newageindustrial.com
sales@newageindustrial.com

New Age Industrial reserves the right to modify or make changes at any time without notice to materials and specifications.



Model #99273

Model No.	Size-W	Size-H	Size-D	Bushel Cap.
99521	20 1/4"	33"	26 1/4"	2 1/4
99271	20"	28 1/4"	29 1/4"	4
99272	21"	25"	28"	6
99273	22 1/4"	23 1/2"	33 1/2"	8
99274	26 1/2"	25"	37 1/4"	9

*Overall Height with tub is 36"

Model No.	O.D. Top L x H x W	I.D. Top L x W	I.D. Bottom L x W	Description
0300	19 1/4"x13 3/4"x26"	17"x24"	14 1/4"x21"	2 1/4 Bushel Tub
0381	32 3/4"x15 3/4"x21 1/4"	29 1/4"x17 1/2"	24 3/4"x15"	4 Bushel Tub
0381L	34"x2"x22 1/2"			4 Bushel Lid
0363	32 1/4"x20"x23 1/4"	29"x20"	23 1/2"x16"	6 Bushel Tub
0363L	33 1/2"x2"x24 1/2"			6 Bushel Lid
0360	36 1/4"x23"x24 1/4"	32 1/4"x20 1/2"	28 1/2"x17"	8 Bushel Tub
0360L	37 1/2"x2 1/2"x25"			8 Bushel Lid
0382	41 1/2"x19"x29 1/2"	37"x25"	33"x21"	9 Bushel Tub

*Operating Temperature Range for tubs and lids is -20°F to 150°F

Frames and Tubs sold separately



Phone: 800-255-0104
 Fax: 877-877-7687
www.newageindustrial.com
sales@newageindustrial.com

New Age Industrial reserves the right to modify or make changes at any time without notice to materials and specifications.